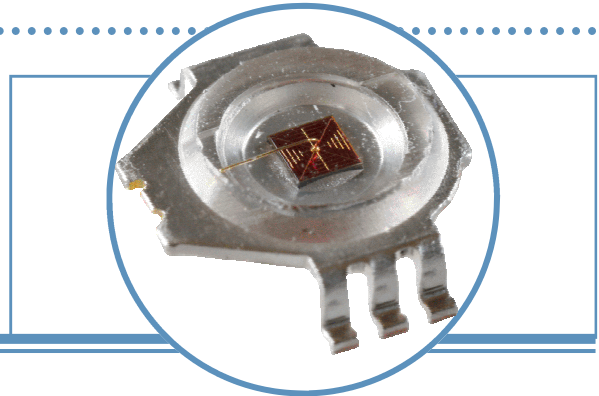


Lednium Series Optimal I

Flush Mount and Surface Mount Packages

OVTL01LGAx Series

- Robust energy-efficient design with long operating life
- Low thermal resistance (2° C/W)
- Exceptional spatial uniformity
- Available in amber, blue, cyan, green, red, cool white, daylight white, and warm white



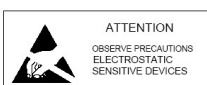
The **OVTL01LGAx Series** offers an energy-efficient packaged LED source providing high luminance, low thermal resistance, a water-clear lens, and a long operating lifespan. Devices have a 135° typical viewing angle with optional optics available and two mounting options:

1. Flush Mount—The shallow-gullwing package is designed to be countersunk into a hole or cavity in the PC board for a low profile of only 1.12mm.
2. Surface Mount—The deep-gullwing package is easily mounted on the solid surface of the PC board (Part numbers end in “S”)

Applications

- Automotive exterior and interior lighting
- Architectural lighting
- Electronic signs and signals

Part Number	Viewing Angle	Emitted Color	Typical Luminous Flux (lm)	Package
OVTL01LGAA	135°	Amber	35	Flush Mount
OVTL01LGAB		Blue	12	Flush Mount
OVTL01LGAC		Cyan	40	Flush Mount
OVTL01LGAG		Green	60	Flush Mount
OVTL01LGAR		Red	45	Flush Mount
OVTL01LGAW		Cool White	65	Flush Mount
OVTL01LGAWD		Daylight White	60	Flush Mount
OVTL01LGAWW		Warm White	50	Flush Mount
OVTL01LGAAS		Amber	35	Surface Mount
OVTL01LGABS		Blue	12	Surface Mount
OVTL01LGACS		Cyan	40	Surface Mount
OVTL01LGAGS		Green	60	Surface Mount
OVTL01LGARS		Red	45	Surface Mount
OVTL01LGAWS		Cool White	65	Surface Mount
OVTL01LGAWDS		Daylight White	60	Surface Mount
OVTL01LGAWWS		Warm White	50	Surface Mount



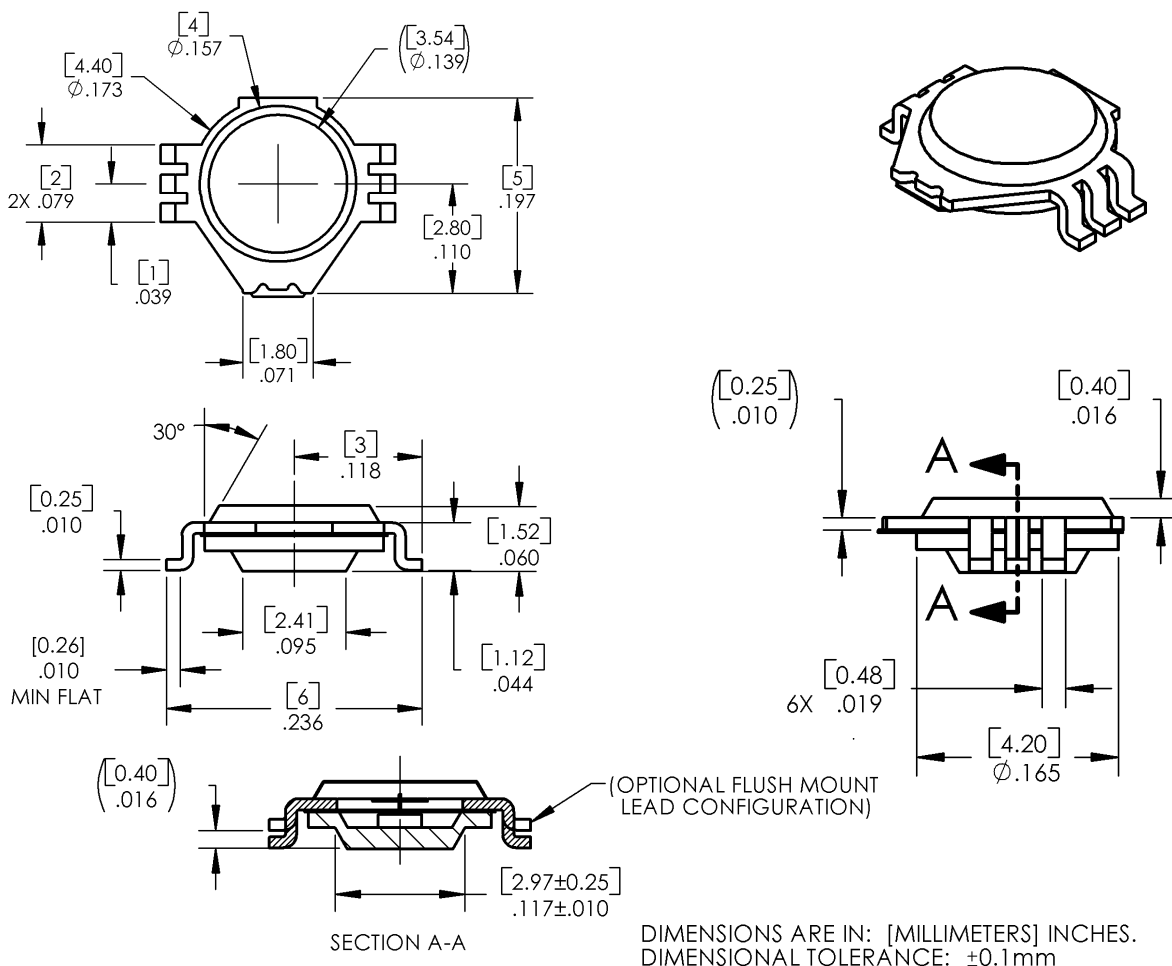
DO NOT LOOK DIRECTLY AT LED WITH UNSHIELDED EYES OR DAMAGE TO RETINA MAY OCCUR.

OPTEK reserves the right to make changes at any time in order to improve design and to supply the best product possible.

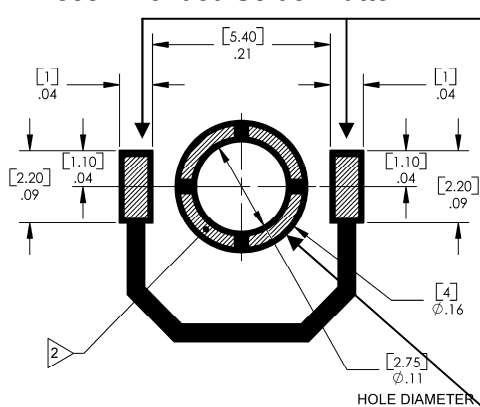
Lednium Series Optimal I

OVTL01LGA Series

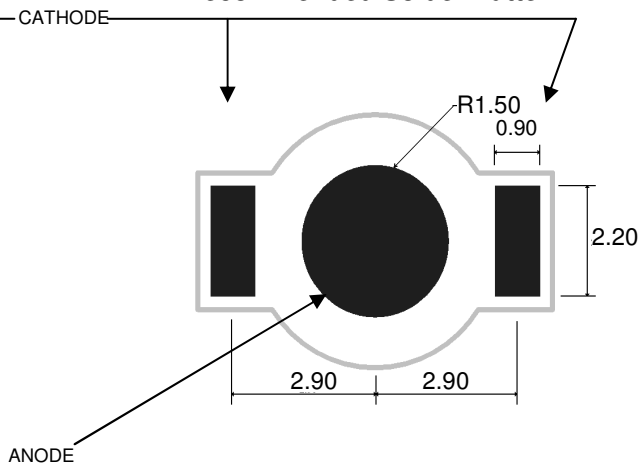
Package Drawing:



FLUSH MOUNT Recommended Solder Pattern



SURFACE MOUNT Recommended Solder Pattern



1. Recommend .006 [.015] thick stencil.
2. Cross-hatching represents solder paste positioning
3. Dimensions are in inches [mm]

OPTEK reserves the right to make changes at any time in order to improve design and to supply the best product possible.

Lednium Series Optimal I

OVTL01LGA Series



Absolute Maximum Ratings

DC Forward Current	0.35 A
Peak Pulsed Forward Current ¹	1 A
Reverse Voltage	5 V
Maximum Allowable Junction Temperature ²	130 °C
Storage and Operating Temperature	-50 ° ~ +85 ° C

Notes:

1. Pulse width 1 ms maximum. Duty cycle 1/16.
2. Thermal Resistance junction to Board ($T_{j\theta}$) is 2 ° C/W

Electrical Characteristics ($I_F = 350$ mA, $T_J = 25$ ° C)

SYMBOL	PARAMETER	MIN	TYP	MAX	UNITS
V_F	Forward Voltage (Amber)	1.9	2.3	2.6	V
	Forward Voltage (Blue)	2.9	3.4	3.7	V
	Forward Voltage (Cyan & Green)	2.9	3.4	3.7	V
	Forward Voltage (Red)	1.9	2.3	2.6	V
	Forward Voltage (White)	2.9	3.4	3.7	V
	V_F -Temperature Co-efficient (Amber & Red)	----	-6.0	----	mV/°C
	V_F -Temperature Co-efficient (White & Blue)	----	-4.8	----	mV/°C
	V_F -Temperature Co-efficient (Cyan & Green)	----	-5.0	----	mV/°C

Optical Characteristics ($I_F = 350$ mA, $T_J = 25$ ° C)

COLOR	DOMINANT WAVELENGTH			SPECTRAL FULL-WIDTH HALF-MAXIMUM	DOMINANT WAVELENGTH TEMPERATURE DEPENDENCE
	MIN	TYP	MAX		
Amber	590	595	600	16 nm	0.08 nm/° C
Blue	455	460	465	24 nm	0.05 nm/° C
Cyan	500	505	510	37nm	0.04 nm/° C
Green	510	515	520	40 nm	0.04 nm/° C
Red	620	625	630	18 nm	0.05 nm/° C

Color	Minimum CCT (°K)	Maximum CCT (°K)	Chromaticity Coordinates				
Cool White	6400	7600	C_x	.298	.304	.316	.313
			C_y	.314	.297	.318	.34
Daylight White	5200	6400	C_x	.313	.317	.336	.338
			C_y	.341	.313	.345	.382
Warm White	3200	3800	C_x	.388	.403	.440	.419
			C_y	.375	.424	.440	.391

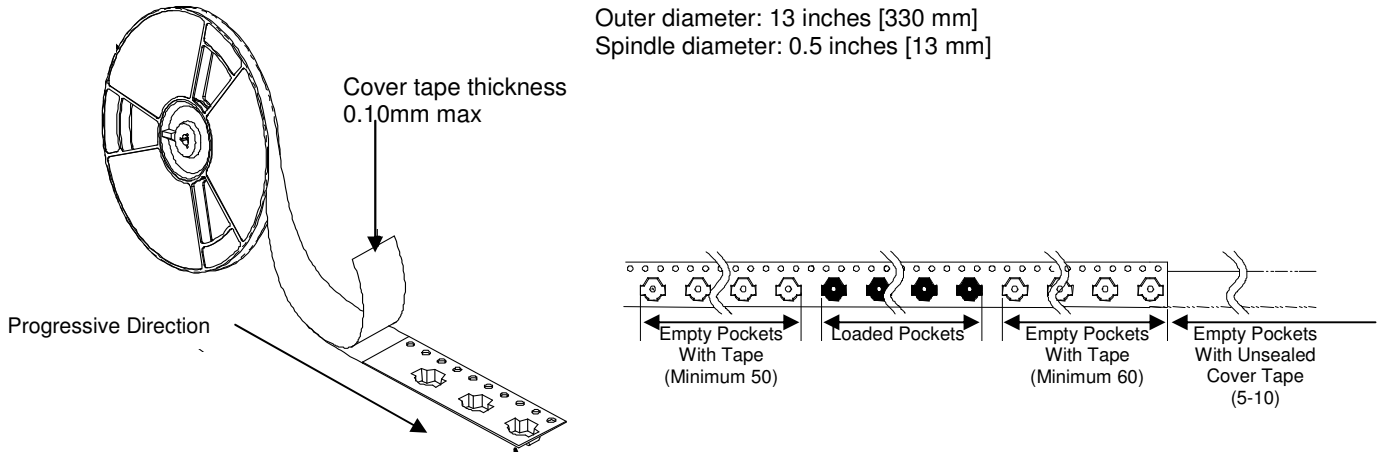
OPTEK's Lednium Series Solid State Lighting products package the highest quality LED chips. Typically, the lumen output of these can be as high as 70% after 50,000 hours of operation. This prediction is based on specific test results and on tests on similar materials, and relies on strict observation of the design limits and ratings included in this data sheet.

OPTEK reserves the right to make changes at any time in order to improve design and to supply the best product possible.

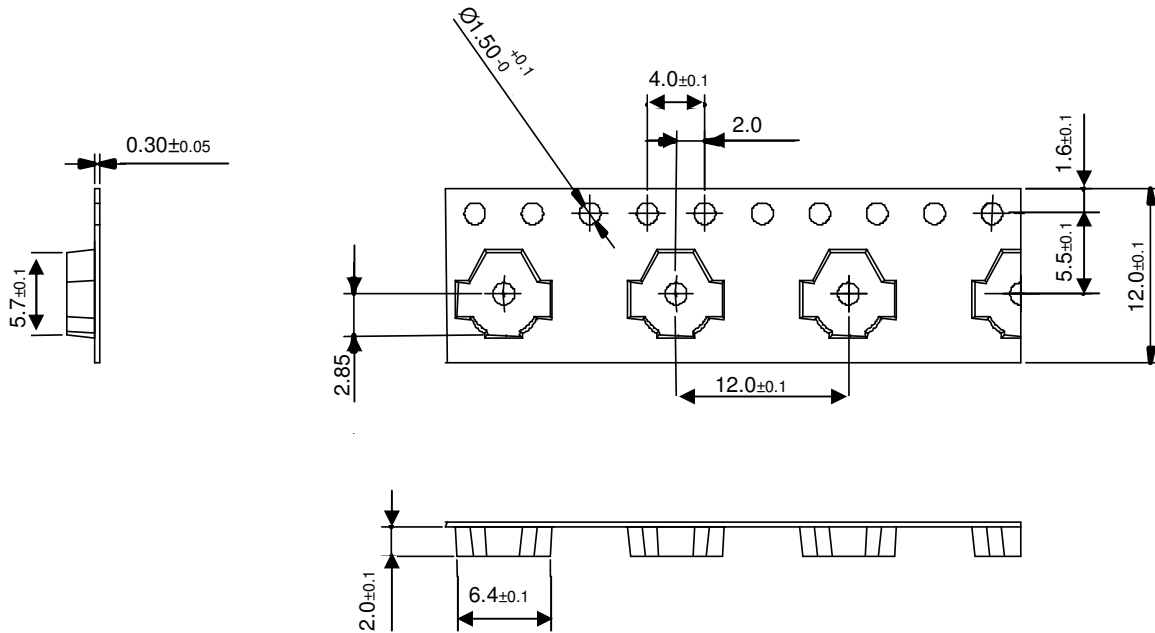
Lednium Series Optimal I

OVTL01LGA Series

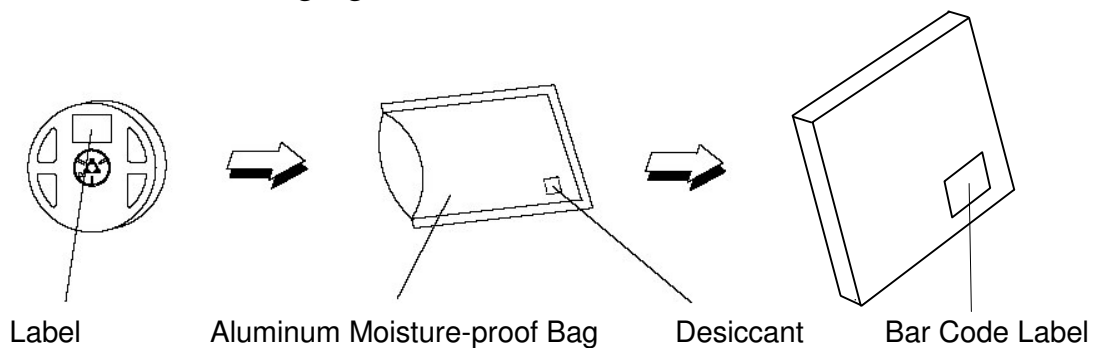
Reel Dimensions:



Carrier Tape Dimensions: Loaded quantity 1000 maximum pieces per reel



Moisture Resistant Packaging



OPTEK reserves the right to make changes at any time in order to improve design and to supply the best product possible.